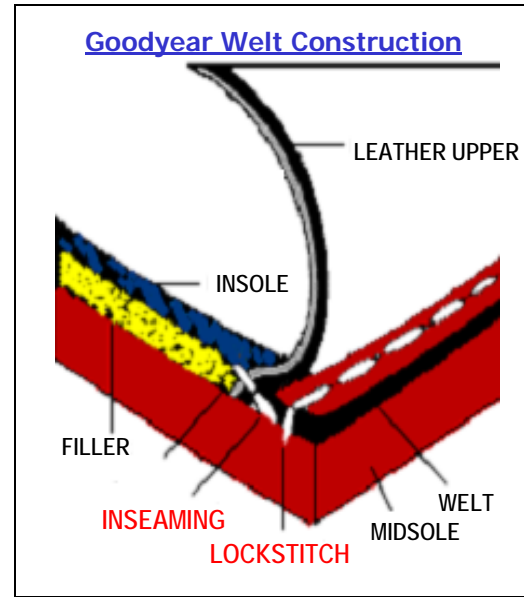


Footwear Bottoming Threads

World of A&E



SOLE / BOTTOM STITCHING

<u>OPERATION</u>	<u>THREAD TYPE</u>	<u>CAT #</u>	<u>COLOR #</u>	<u>COLOR</u>	<u>BRAND</u>	<u>BRAND #</u>
Inseaming	#415 Monocord Polyester	DB70102	Color: 30001	White	Ludlow	LP1548
	#554 Monocord Polyester	DB70104	Color: 30001	White	Ludlow	LP1548
	#690 Monocord Polyester	DB70106	Color: 30001	White	Ludlow	LP1548
	T-600 Poly Inseaming	D111803	Color: 35907	Black	Solution Dyed	
Lockstitch	#690 Polyester (Twisted)	DA70103	Color: 30001	White	Ludlow	D1105
	Shuttle #690 Monocord Polyester	DB70106	Color: 30001	White	Ludlow	LP1548
	#690 Monocord Polyester	DB71116	Color: 35907	Black	Ludlow	LP1548

Global Availability - World Class Service

Footwear Bottoming Threads

SOLE / BOTTOM ALTERNATIVE THREADS

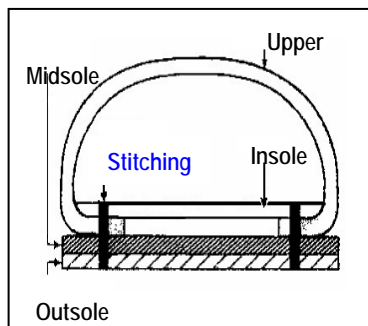
A&E Brand	Cat #	Size	Put-Up	Finish	Color
APEX COT BRAID	2402200	#7	16oz	Glaced	WHITE
APEX COT BRAID	2404200	#7	16oz	Glaced	COLORS
APEX POLY	D911110	#4	16oz		WHITE
APEX POLY	D914110	#4	16oz		COLORS
APEX POLY	D914130	#6	16oz		COLORS
APEX POLY	D914135	#6	48oz		COLORS

World of A&E

Lockstitch
with Braid



Littleway Construction



Littleway Top Thread:

<i>#346 Nylon BT</i>	NA70206	color: 30001	White
<i>#346 Nylon BT</i>	NA74230	color: 56033	Black

Littleway Bobbin:

<i>Tex 600 Nylon</i>	NL11600	color: 30001	White
<i>Style 591/2 L</i>	NL14600	color: 56033	Black

For information or samples, contact your local A&E Representative
American & Efirid Inc
22 American Street, Mt. Holly, North Carolina 28120
(800) 438-5868 / Fax: 704-827-0974
Website: www.amefird.com

